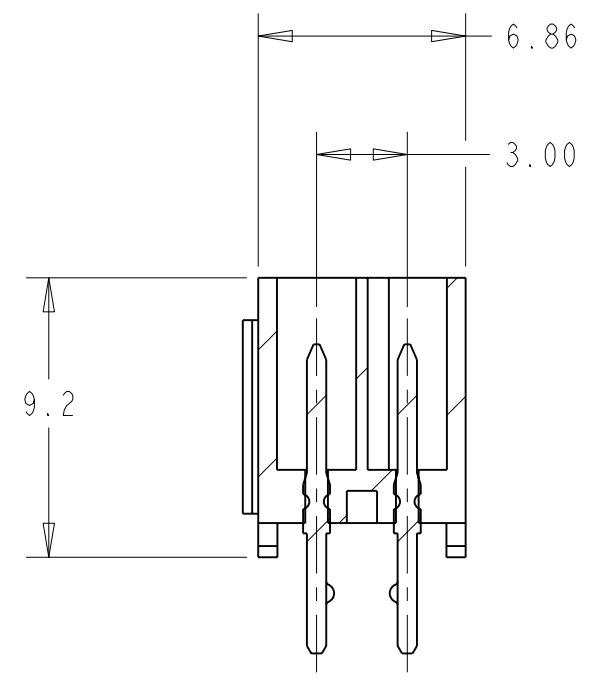
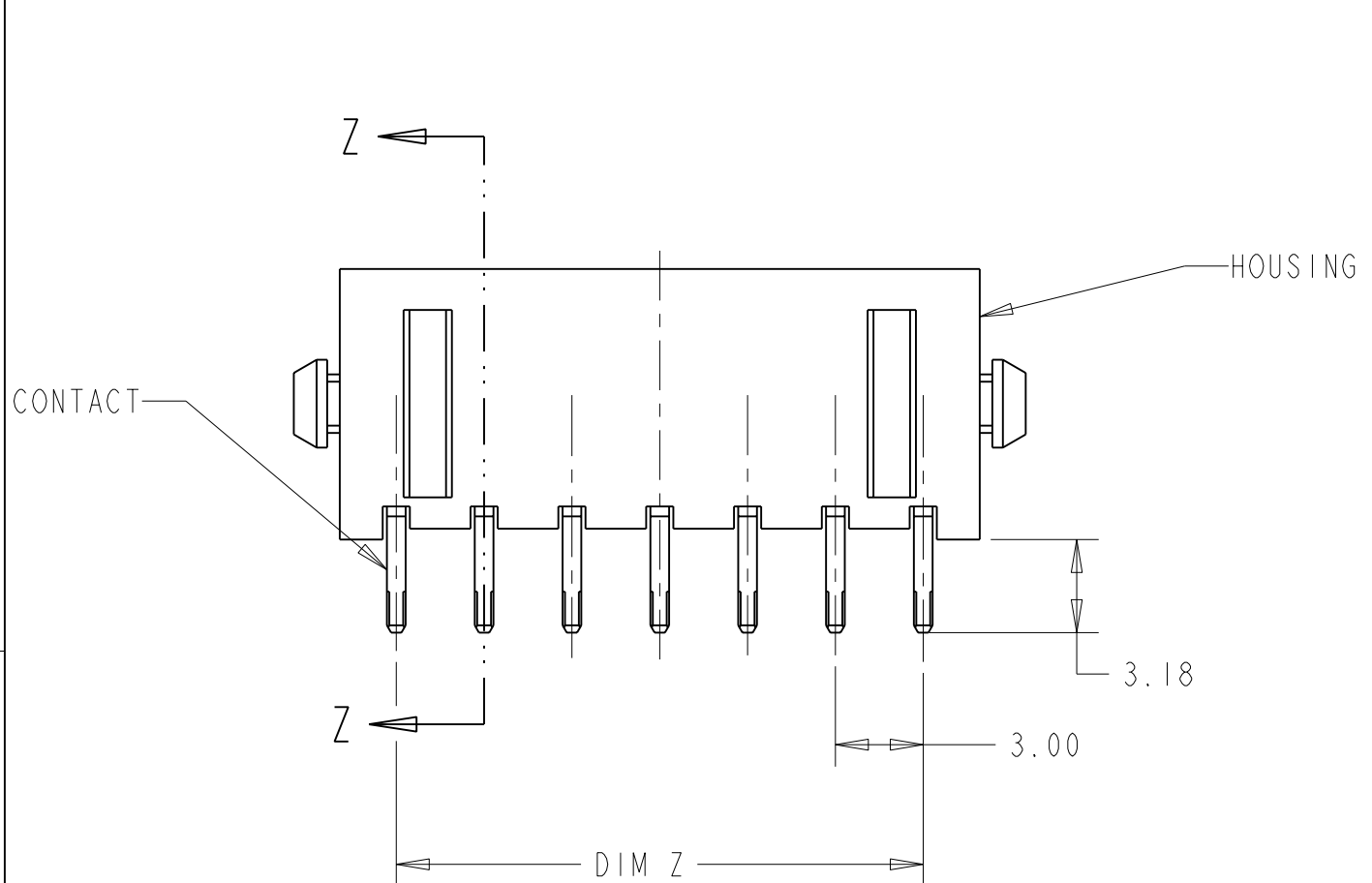
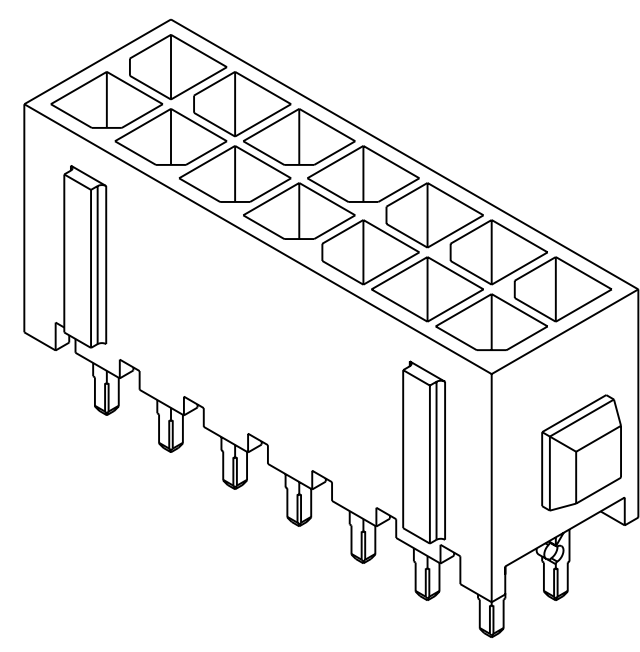


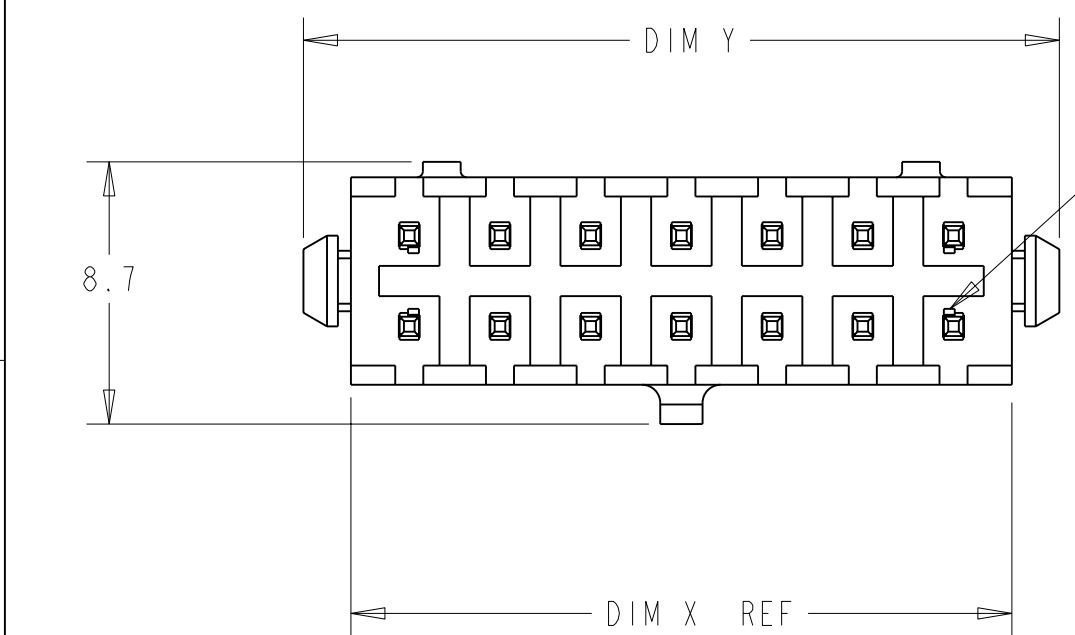
LOC	DIST	REVISIONS					
CM	00	P	LTR	DESCRIPTION	DATE	DWN	APVD
		D		REVISED PER 0G3B-0208-05	25APR05	KW	CJ



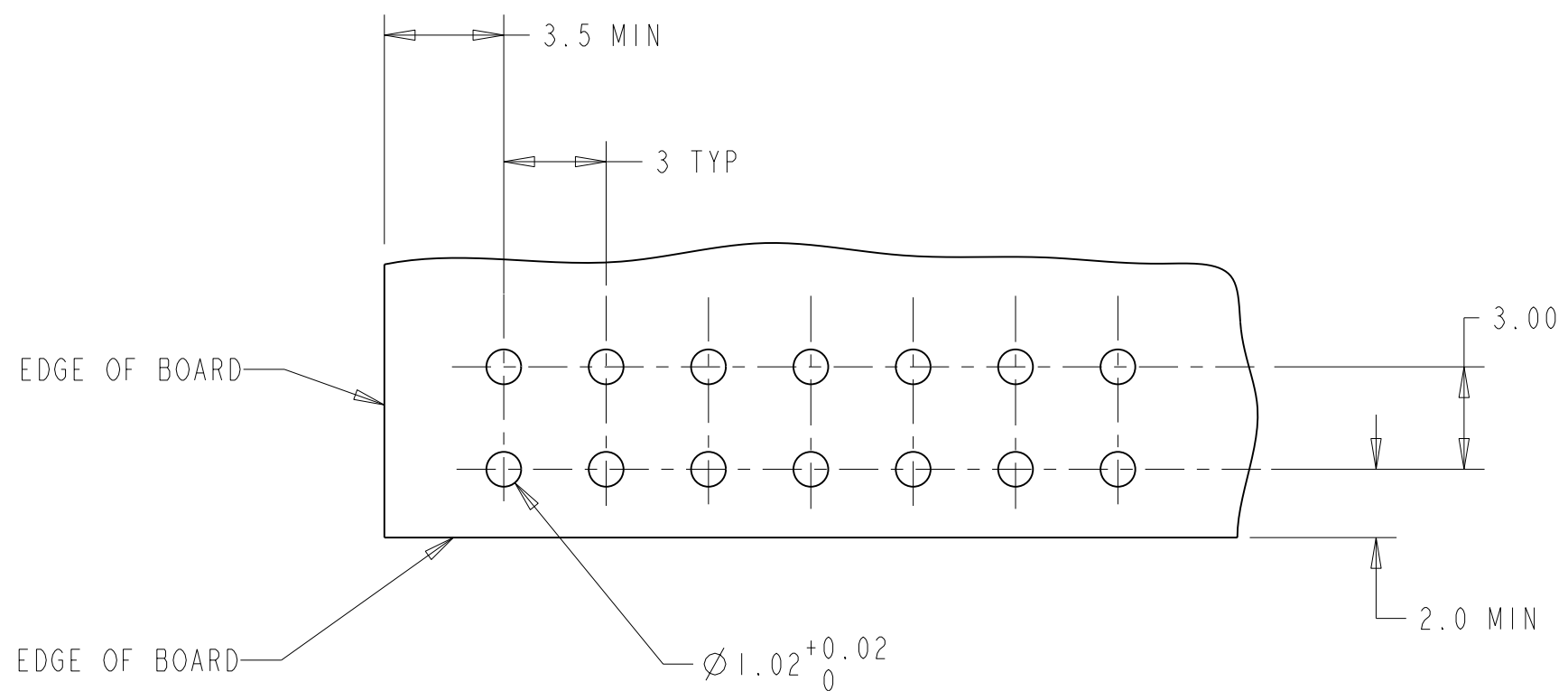
SECTION Z-Z



3 DIMENSIONAL MODEL



RETENTION FEATURE LOCATED $\triangle 2$
 ON END CONTACTS ONLY
 4 PLC REF



RECOMMENDED MOUNTING HOLE PATTERN $\triangle 3$
 SCALE 5:1

$\triangle 1$ MATERIAL: HOUSING - NYLON, UL 94V-0, BLACK.
 CONTACT - BRASS.
 0.00038 MINIMUM GOLD OVER 0.00254
 MINIMUM NICKEL ON MATING AREA. 0.00254
 TIN-LEAD MINIMUM OVER 0.00254 NICKEL
 MINIMUM ON SOLDER TAILS.

$\triangle 2$ MAXIMUM INSERTION 20 LBS.
 $\triangle 3$ RECOMMENDED BOARD THICKNESS 1.57.

$\triangle 4$ MATERIAL: HOUSING - NYLON, UL 94V-0, BLACK.
 CONTACT - BRASS.
 0.00038 MINIMUM GOLD OVER 0.00254
 MINIMUM NICKEL ON MATING AREA. 0.00254
 MATTE TIN MINIMUM OVER 0.00254 NICKEL
 MINIMUM ON SOLDER TAILS.

FINISH	DIM Y	DIM Z	DIM X	NO. OF POSN.	PART NUMBER
$\triangle 4$	40.00	33.00	36.86	24	5-794631-4
$\triangle 4$	37.00	30.00	33.86	22	5-794631-2
$\triangle 4$	34.00	27.00	30.86	20	5-794631-0
$\triangle 4$	31.00	24.00	27.86	18	4-794631-8
$\triangle 4$	28.00	21.00	24.86	16	4-794631-6
$\triangle 4$	25.00	18.00	21.86	14	4-794631-4
$\triangle 4$	22.00	15.00	18.86	12	4-794631-2
$\triangle 4$	19.00	12.00	15.86	10	4-794631-0
$\triangle 4$	16.00	9.00	12.86	8	3-794631-8
$\triangle 4$	13.00	6.00	9.86	6	3-794631-6
$\triangle 4$	10.00	3.00	6.86	4	3-794631-4
$\triangle 4$	7.00	-	3.86	2	3-794631-2
$\triangle 1$	40.00	33.00	36.86	24	2-794631-4
$\triangle 1$	37.00	30.00	33.86	22	2-794631-2
$\triangle 1$	34.00	27.00	30.86	20	2-794631-0
$\triangle 1$	31.00	24.00	27.86	18	1-794631-8
$\triangle 1$	28.00	21.00	24.86	16	1-794631-6
$\triangle 1$	25.00	18.00	21.86	14	1-794631-4
$\triangle 1$	22.00	15.00	18.86	12	1-794631-2
$\triangle 1$	19.00	12.00	15.86	10	1-794631-0
$\triangle 1$	16.00	9.00	12.86	8	794631-8
$\triangle 1$	13.00	6.00	9.86	6	794631-6
$\triangle 1$	10.00	3.00	6.86	4	794631-4
$\triangle 1$	7.00	-	3.86	2	794631-2

METRIC

<small>THIS DRAWING IS A CONTROLLED DOCUMENT FOR TYCO ELECTRONICS CORPORATION IT IS SUBJECT TO CHANGE AND THE CONTROLLING ENGINEERING ORGANIZATION SHOULD BE CONTACTED FOR THE LATEST REVISION.</small>		DWN B HAYMAKER 16AUG99 CHR K COBLE 16AUG99 APVD K COBLE 16AUG99	AMP AMP Incorporated Harrisburg, PA 17105-3608	
DIMENSIONS: mm [INCHES]	TOLERANCES UNLESS OTHERWISE SPECIFIED: 0 PLC ± 1 PLC ± 2 PLC ±0.13 (.005) 3 PLC ± 4 PLC ± ANGLES ± FINISH SEE TABLE	PRODUCT SPEC APPLICATION SPEC WEIGHT	NAME VERTICAL HEADER ASSEMBLY, THRU HOLE, 15 GOLD, DUAL ROW, MICRO MATE-N-LOK™	
MATERIAL $\triangle 1$			SIZE A2 CAGE CODE 00779 DRAWING NO. C=794631	RESTRICTED TO SCALE 3:1 SHEET 1 OF 1 REV D
CUSTOMER DRAWING				